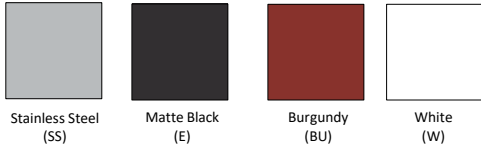




COLOR OPTIONS:



COLOR IS FULL-BODY, INCLUDING CONTROL PANEL & SIDES

MAIN FEATURES:



5 INDUCTION ZONES W/
GRIDDLE INCLUDED



ROUND SOFT TOUCH KNOB



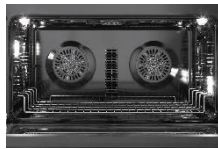
TOUCH CONTROL CLOCK



SPACE SAVER SHELF, AIR-
FRY TRAY, 2 GLIDE RACKS
& BROILER PAN INCLUDED



FULL-WIDTH STORAGE DRAWER



DUAL CONVECTION FANS

COOKTOP CONFIGURATION:



Burner #	Power (W)
1	Smart Zone: 2100 (3700*)
2	Double Zone: 1850/2600 (3000/5500*)
3	Cooking zone display

* Maximum Output when set to PowerBoost. PowerBoost not available when Smart Zones are Bridged.

VUFSIE365--
ULTIMA INDUCTION 36" RANGE

GENERAL FEATURES	
Size	36"
Type	Induction / Electric
Clock and Timer	Touch Control & Programmable
Control Knobs	Chrome - Round Soft-Touch
Power Requirements	120/240 Volt 60Hz 50 Amp dedicated circuit
Warranty	2 years parts & labor within policy
COOKTOP FEATURES	
Burners	5 Induction Zones
Smart Zone – Left & Right w/ Bridge Capability	2100W - 3700W PowerBoost x 4 5 11/16" (un-bridged) - 9 5/8" (bridged)
Double Zone - Center	1850/2600W - 3000/5500W PowerBoost 5" (inner zone) - 9 7/8" (dual zone)
Cooktop Surface	Black Ceramic Glass
Griddle	Included – Cast Iron
OVEN FEATURES	
Interior Oven Dims.	5.0 cu.ft. / 30W x 16D x 15.5H
Convection Fan	Dual Convection Fans
European Convection	Yes
Broil Element	Yes – Full Width, Closed Door
Broiler Power	3,000W
Functions	Bake, Bottom Bake, Upper Bake, Broil, Maxi Broil, Convection Bake, Convection Broil, Defrost, Pizza, Fan Assist
Oven Door	Soft-Close w/ 3 Pane Removable Glass
Oven Lights	4 LED
Oven Interior	Easy-clean enamel + Catalytic panels
Included Accessories	1 – standard rack, position adjustable 2 – glide supports, position stationary 1 – space saver shelf 1 – air fry tray 1 – broiler pan assembly
DIMENSIONS	
Width (in)	35 7/8"
Height (in)	35 3/8" – 37 1/4"
Depth (in)	25 1/4"
Island Trim	3"H (available for purchase as accessory)

OPTIONAL ACCESSORIES		
COLOR KNOBS SET	Burgundy or Black	VEKNDIESBU/BLK

SCAN HERE FOR COMPLETE
INSTALLATION AND USER MANUALS



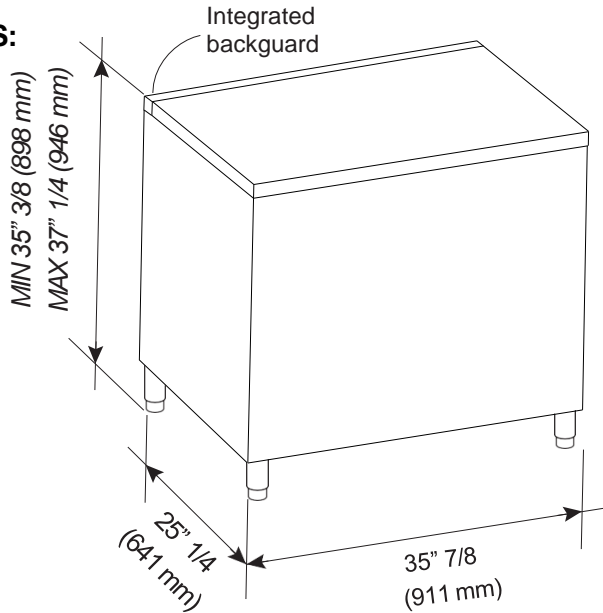


VUFSIE365--

ULTIMA 36" INDUCTION RANGE

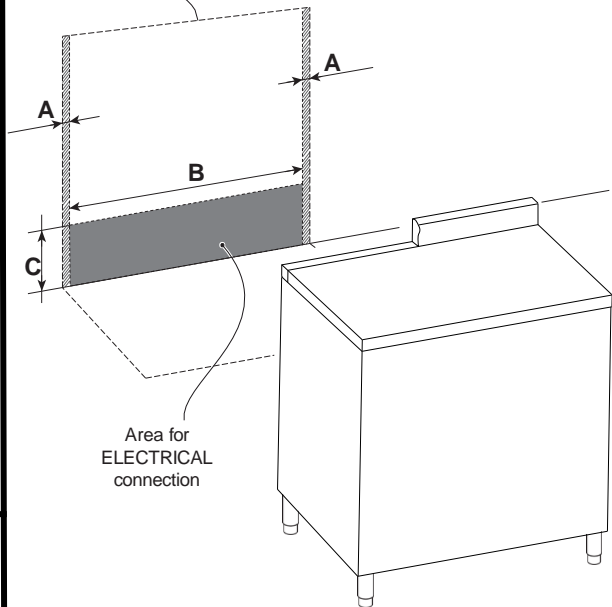
EuroChef USA | www.veronaappliances.com

DIMENSIONS:

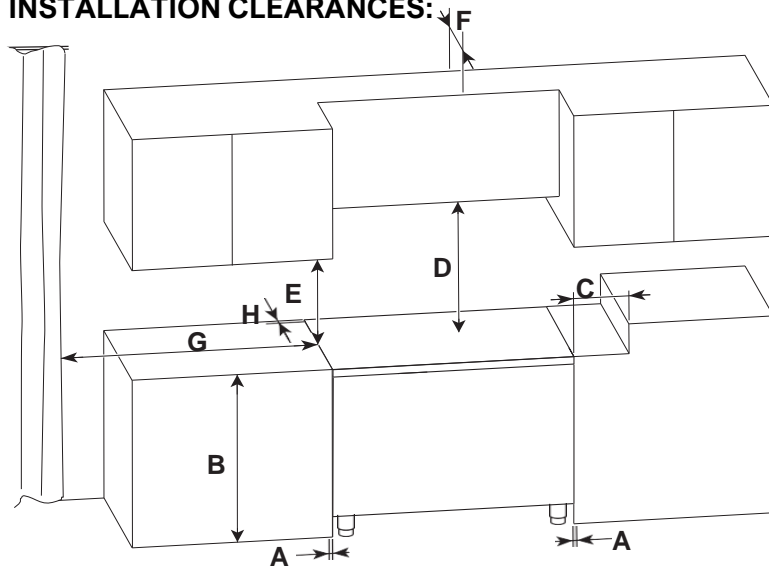


ELECTRICAL CONNECTION:

Dotted line showing the position of the range when installed



INSTALLATION CLEARANCES:



Ref.	inch	mm
A	0"	0
B	36" (*)	914 (*)
C	2"	50
D	24" or 30" minimum	610 or 762 minimum
E	18" minimum	457 minimum
F	13" maximum	330 maximum
G	20" minimum	500 minimum
H	0"	0

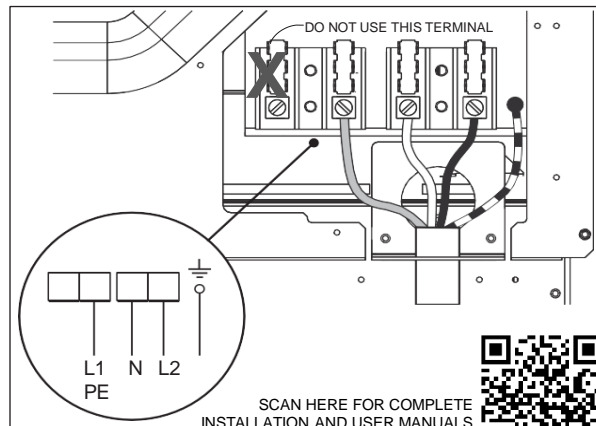
(*) Maximum height of cabinetry immediately adjacent to the range (from floor to countertop). Depending on the height of the feet adjustment. The cooking surface must sit flush or above countertop level.

Ref.	inch	mm
A	7/32"	6
B	35" 7/16	899
C	8" 1/8 - 10" 3/32 (*)	206.5 - 256.5 (*)

(*): Depending on appliance leg installation height.

IMPORTANT: 4-WIRE INSTALLATION REQUIRED

Please follow full instructions for 4-wire installation found within the installation manual provided with the appliance.



SCAN HERE FOR COMPLETE INSTALLATION AND USER MANUALS

